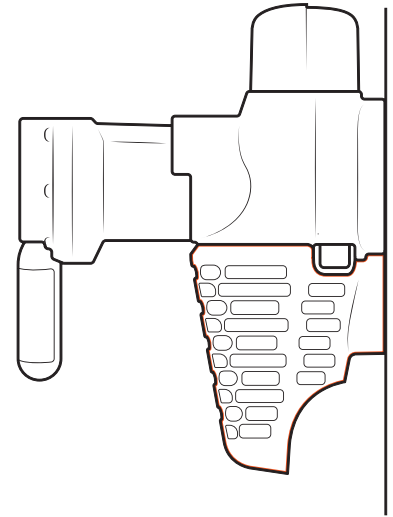


# goodnature® A24 Blocker

## Installation Guide

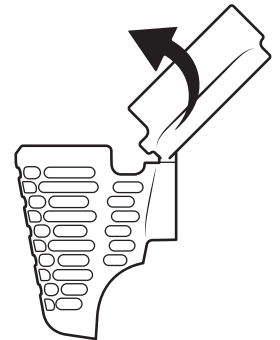
Johnson Group is the sole distributor of goodnature® in Hong Kong

We've designed our A24 trap to target specific pests only – not native birds or your neighbour's pet. The chance of you trapping anything you want to protect is very small but we know some wildlife is more curious than others. While our Blocker for A24 isn't a necessity, it's an extra step you can take for peace of mind.



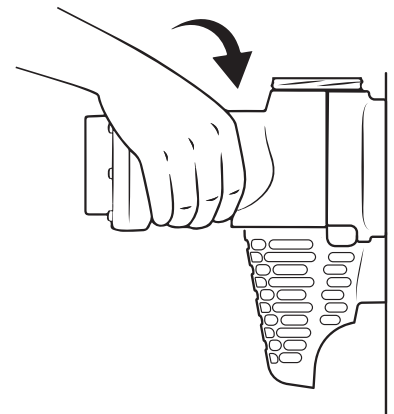
### Step 1

Drop the bottom of the Tree Mount onto the Blocker. Angle the Tree Mount upwards by 90° until it clicks into place.



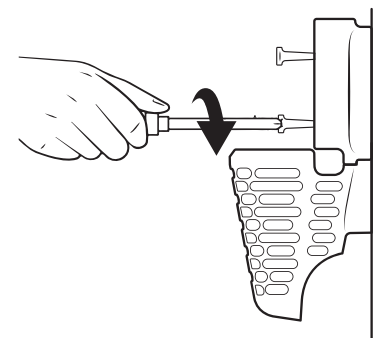
### Step 2

Using a screwdriver, screw the Tree Mount (now attached to the Blocker) into a tree or post with the highest edge of the Blocker entrance sitting 12cm above the ground.



### Step 3

Tilt the A24 trap backwards and lower it into the top of the Tree Mount. As you press the trap downwards, it will be guided by the Tree Mount and lock into place. Click!

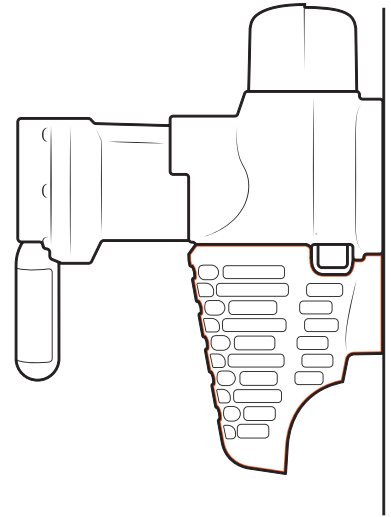


# goodnature® A24 保護罩

## 安裝說明

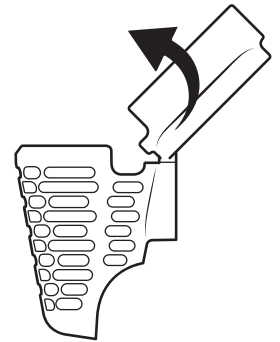
莊臣集團是 goodnature® 的香港總代理

goodnature® A24 的整個設計只針對老鼠，而不是其他動物如雀鳥和寵物，雖然我們不排除部分野生動物好奇心較強，但 A24 誤捕非目標性生物的機會其實非常低。A24 保護罩並不是必須購置的配件，但可作為額外的保護措施讓你使用更安心。



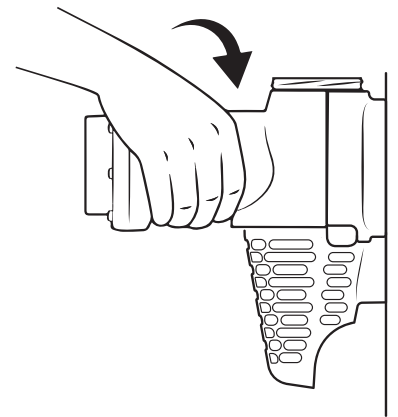
### 步驟一

把安裝固定器放到保護罩上方，以90度垂直將固定器卡入保護罩。



### 步驟二

將固定器連同保護罩安裝在離地面12厘米的高度，固定好位置，確保螺絲垂直對齊後用螺絲批鎖緊。



### 步驟三

將主機稍微向後傾斜並將其放在固定器上，慢慢向下按壓直至主機完全扣入並發出一下「卡」的聲響。主機和固定器必須牢固就位，不能出現搖晃或鬆動。

